

Concept of Making Hand Wrapper

U-450JP
B-450JP


We promote to correspond to an environment, a sanitation, and saving energy.

It has a long life by adopting a special coating of aluminum alloyed plate.

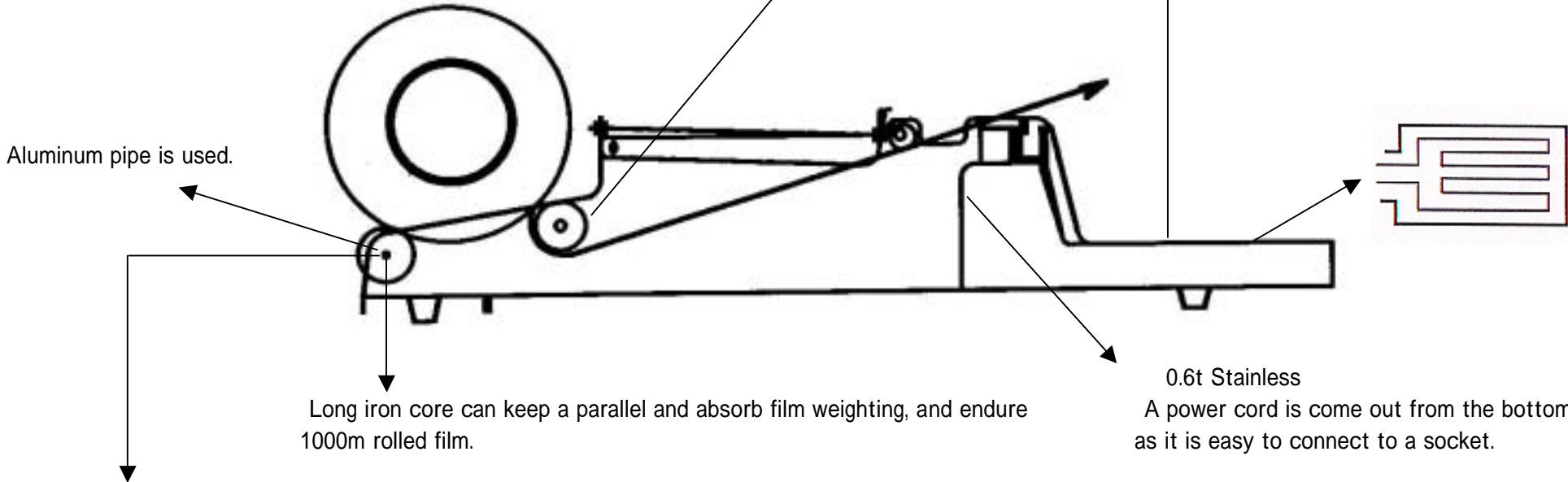
As the part to insert finger became wider, it becomes easier to grasp film.
Prevent for film to go back. (Especially, it is effective to polyolefin film.)
Film tension lengthways is good, and beautiful wrapping without creases.
Easy wrapping sideways, and little stiff shoulders.

A special coating and uneven shape on aluminum alloyed plate.

Anti-adhesiveness ... As spot can't stick, it is clean always.
Distinguished corrosion-resistance ... a coating can't come off and it becomes long life.

We adopt  type bend and a support bar to endure weighting, and to prevent a hollow and a warp.

All parts are put by connector method.
(You can change them easily.)



Aluminum pipe is used.

Long iron core can keep a parallel and absorb film weighting, and endure 1000m rolled film.

0.6t Stainless
A power cord is come out from the bottom, as it is easy to connect to a socket.

Abrasion prevent rings are used at a side plate and a shaft.

Resinous roller including carbon is adopted for electrostatic prevention.

About machine hardness ...

Body can't get rusty and is sanitary.
Galubarium steel plate is shining silvery white color.

Aluminum pipe, Shaft, Pillar
3 support structures to eithe side prevents from machine warp, and keeps a parallel state.

ASAHI INDUSTRY CO.,LTD.