

PEONY HAND WRAPPER

<HOW TO CHANGE THE HEATING WIRE>

PROCESS

1. Remove the front panel stop screw (figure 3 F), and remove the screw (heat plate fastening screw, figure 1 B) of the side.
2. Remove the front panel (the panel which the switch is on in), and remove two codes which are on the PC board of the back side, indicated "HEATER PLATE."
3. Remove the red seal of the temperature control knob (figure 3 A). Loosen an enamel setting screw (figure 2 C) with hexagon sticking wrench (2mm), and remove an adjustment knob.
4. Remove a heat plate and turn it over. Remove the screw (figure 4 E) which holds the board of pressing the heating wire on the heat plate.
5. Remove and take the screw of the code (figure 4 D) connected with thermostat.
6. Remove the board of pressing the heating wire and turn it over.
7. Install aluminum heater behind the heat plate, and install a board of pressing the heating wire.
Attention) Thermostat installation screw doesn't come on the heating wire.

FIGURE 1

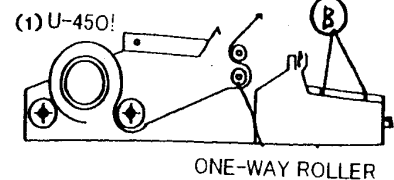


FIGURE 2

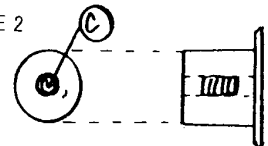


FIGURE 3

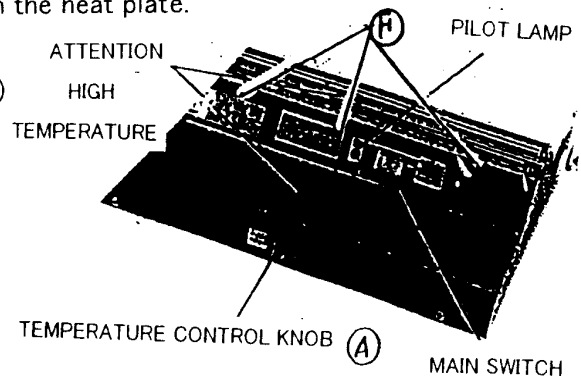


FIGURE 5

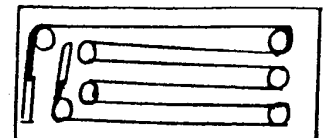
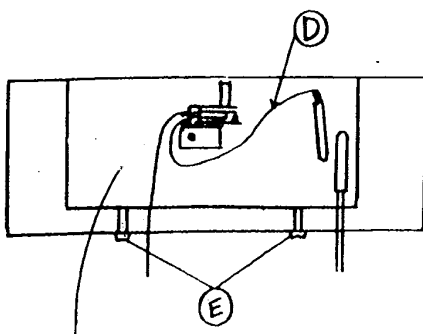


FIGURE 4



THE BOARD OF PRESSING THE HEATING WIRE

ASAHI INDUSTRY CO.,LTD.