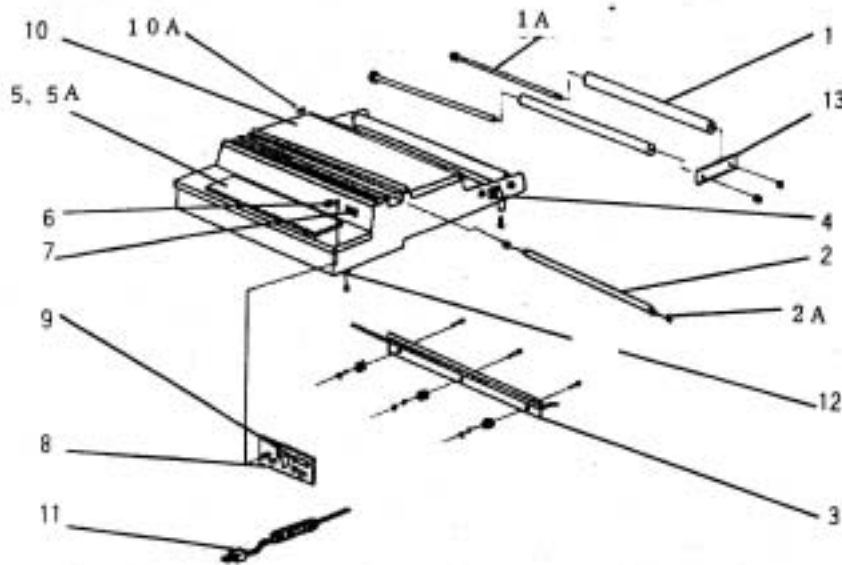


## PARTS & DEALER PRICE LIST FOR HAND WRAPPER MODEL U-450JP & B-450JP



PART NO.	DESCRIPTION
1	FILM ROLLER
1A	SHAFT & NUT FOR FILM ROLLER
2	DRAWING ROLLER
2A	SHAFT & NUT FOR DRAWING ROLLER
3	CUTTER BLADE WITH SCREW
4	BRAKE NOB WITH STOPPER
5	HEATING CODE FOR HOT PLATE
5A	HOT PLATE COMPLETE
6	NOB FOR TEMPERATURE CONTROLLER
7	MAIN SWITCH COMPLETE
8	FUSE (3A)
9	WORK PLATE
10	POWER PLATE
10A	SHAFT & NUT FOR WORK PLATE
11	POWER CABLE
12	RUBBER FOOT WITH SCREW (4PCS)
13	BRAKE PLATE
14	CUTTER BLADE ASSY

**Asahi Industry Co.,Ltd.**  
**FAX 81-52-671-5196**